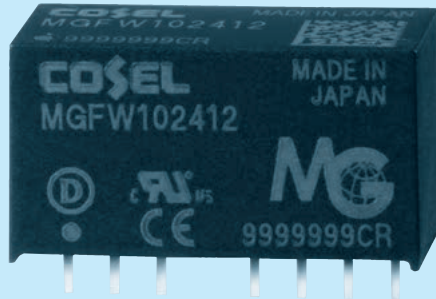


# MGFW10

MGF ① W ② 10 ③ 24 ④ 12 ⑤ - ⑥ □



- ① Series name
- ② Dual output
- ③ Output wattage
- ④ Input voltage
- ⑤ Output voltage
- ⑥ Optional
- Y2: Output voltage adjustable (+10%, -5%)

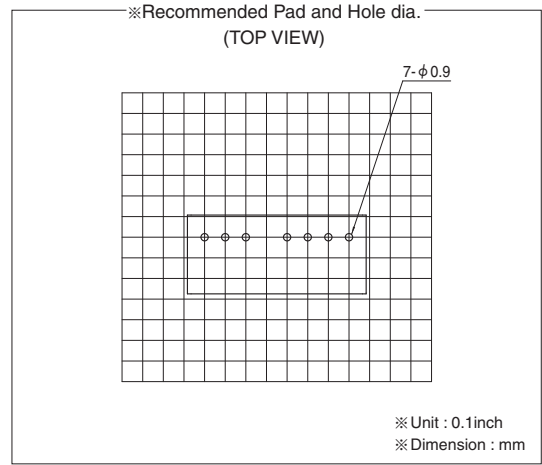
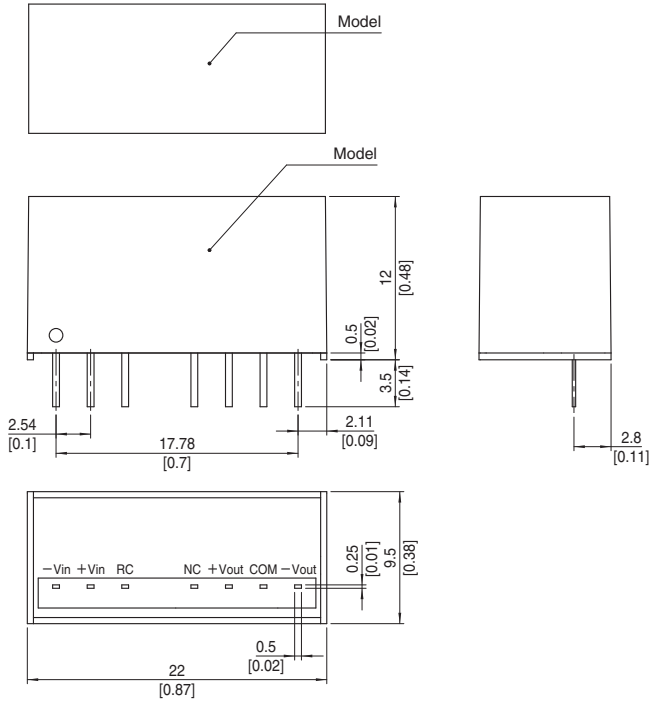
MODEL	MGFW102412	MGFW102415	MGFW104812	MGFW104815
MAX OUTPUT WATTAGE[W]	10.08	10.20	10.08	10.20
DC OUTPUT	VOLTAGE[V] *1	±12 or +24	±15 or +30	±12 or +24
	CURRENT[A]	0.42	0.34	0.42

## SPECIFICATIONS

	MODEL	MGFW102412	MGFW102415	MGFW104812	MGFW104815	
INPUT	VOLTAGE[V]	DC9 - 36 (Surge voltage 50V,100ms max) (Refer to the instruction manual for input voltage derating.)		DC18 - 76 (Surge voltage 100V,100ms max) (Refer to the instruction manual for input voltage derating.)		
	CURRENT[A] *2	0.49typ	0.49typ	0.25typ	0.25typ	
	EFFICIENCY[%] *2	87typ	87typ	87typ	88typ	
OUTPUT	VOLTAGE[V]	±12 (+24)	±15 (+30)	±12 (+24)	±15 (+30)	
	CURRENT[A]	0.42	0.34	0.42	0.34	
	LINE REGULATION[mV]	60max	75max	60max	75max	
	LOAD REGULATION[mV]	*3	480max	600max	480max	600max
		*4	600max	750max	600max	750max
	RIPPLE[mVp-p]	Po=30% - *5	120max	120max	120max	120max
		Po=0 - 30%	360max	360max	360max	360max
	RIPPLE NOISE[mVp-p]	Po=30% - *5	200max	200max	200max	200max
		Po=0 - 30%	500max	500max	500max	500max
	TEMPERATURE REGULATION[mV]	-20 to +50°C	150max	180max	150max	180max
-40 to +50°C		240max	290max	240max	290max	
DRIFT[mV] *6	48max	60max	48max	60max		
START-UP TIME[ms]	30max (Minimum input, Io=100%)					
OUTPUT VOLTAGE SETTING[V]	11.64 - 12.36	14.55 - 15.45	11.64 - 12.36	14.55 - 15.45		
PROTECTION CIRCUIT AND OTHERS	OVERCURRENT PROTECTION	Works over 105% of rating and recovers automatically				
	REMOTE ON/OFF	Provided (Negative logic L : ON, H : OFF)				
ISOLATION	INPUT-OUTPUT	DC1,500V or AC1,000V 1minute, Cutoff current=10mA, DC500V 1,000MΩ min (20±15°C)				
ENVIRONMENT	OPERATING TEMP., HUMID. AND ALTITUDE	-40 to +85°C, 20 to 95%RH (Non condensing) (Required derating), 5,000m (16,400feet) max				
	STORAGE TEMP., HUMID. AND ALTITUDE	-40 to +100°C, 20 to 95%RH (Non condensing), 9,000m (30,000feet) max				
	VIBRATION	10 - 55Hz 98.0m/s <sup>2</sup> (10G), 3minute period, 60minutes each along X, Y and Z axis				
	IMPACT	490.3m/s <sup>2</sup> (50G) 11ms, once each along X, Y and Z axis				
SAFETY	AGENCY APPROVALS	UL60950-1, C-UL, EN60950-1				
OTHERS	CASE SIZE/WEIGHT	22.0x12.0x9.5mm [0.87x0.48x0.38 inches] (WXHXD) / 7g max				
	COOLING METHOD	Convection/Forced air				

- \*1 Single output +24V, +30V with no use of COM.
- \*2 Rated input 5V, 12V, 24V or 48V DC Io=100%
- \*3 Symmetrical loading from 20% to 100%.
- \*4 Symmetrical loading from 0% to 100%.
- \*5 Ripple and Ripple Noise is measured by using test board with ceramic capacitor 1μF at 50mm from output pins. Po:Output wattage.
- \*6 Drift is the DC output accuracy for eight hours period after a half-hour warm-up at 25°C.
- \* Parallel operation with other model is not possible.

## External view



- ※ Tolerance  $\pm 0.5$  [ $\pm 0.02$ ]
- ※ Dimensions in mm, [ ]= inches
- ※ Pin terminal material : Copper
- ※ Planting treatment of terminal : Lead free plating
- ※ Case material : PBT
- ※ Weight 7g max

